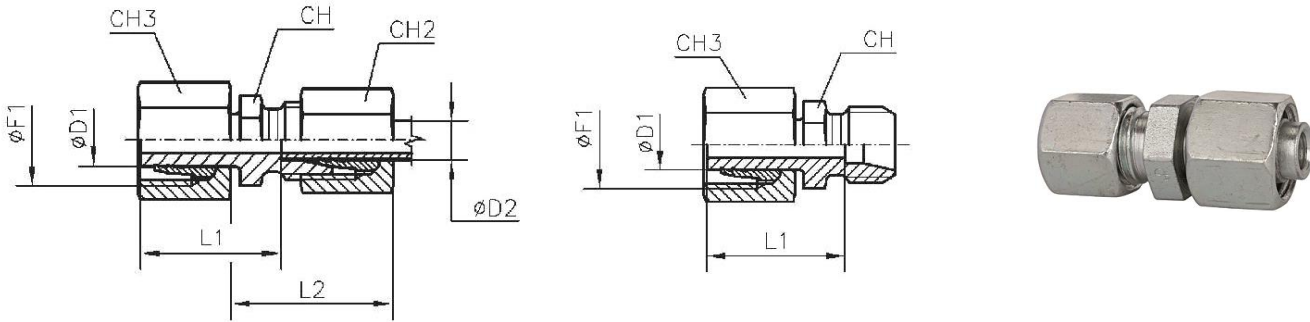
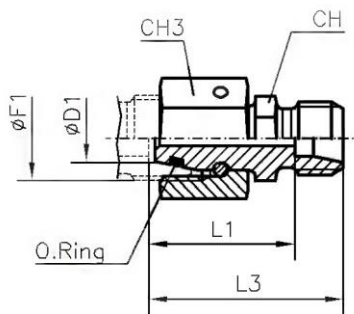
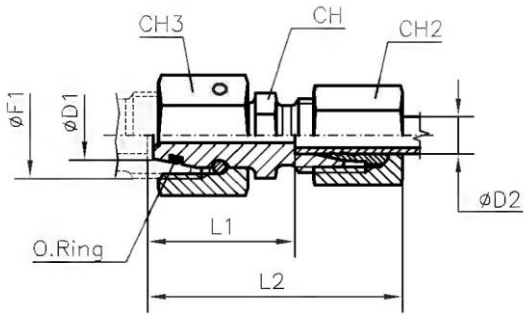


Material galvanised steel (DIN 2353)



Reducer, light type

Art. No.	Type No.	ø D1 mm	ø D2 mm	ø F1	L1 mm	L2 mm	CH2 mm	CH3 mm	CH mm	PN bar
159245	RED186LST	18	6	24x1.5	30.5	29	14	32	19	315
159246	RED188LST	18	8	24x1.5	30.5	29	17	32	19	315
159247	RED1810LST	18	10	24x1.5	32.0	30	19	32	19	315
159248	RED1812LST	18	12	24x1.5	32.0	30	22	32	19	315
159249	RED1815LST	18	15	24x1.5	32.5	32	27	32	24	315
159250	RED228LST	22	8	30x2.0	33.5	32	17	36	24	160
159251	RED2210LST	22	10	30x2.0	35.0	33	19	36	24	160
159252	RED2212LST	22	12	30x2.0	35.0	33	22	36	24	160
159253	RED2215LST	22	15	30x2.0	35.5	35	27	36	24	160
159254	RED2218LST	22	18	30x2.0	35.0	35	32	36	27	160
159255	RED2812LST	28	12	36x2.0	36.0	34	22	41	32	160
159256	RED2815LST	28	15	36x2.0	36.5	35	27	41	32	160
159257	RED2818LST	28	18	36x2.0	36.0	36	32	41	32	160
159258	RED2822LST	28	22	36x2.0	36.0	38	36	41	32	160

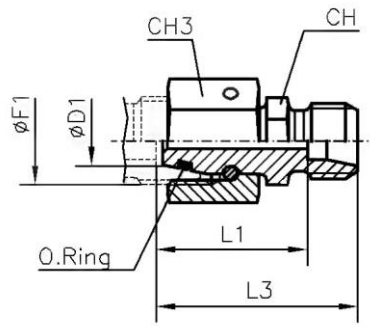
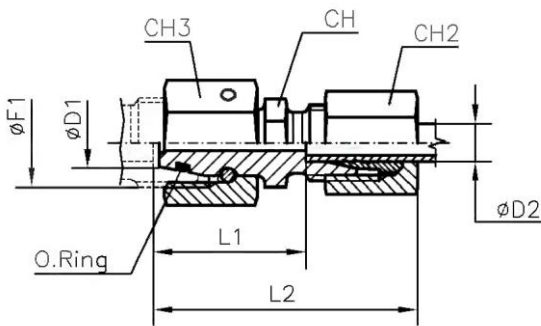


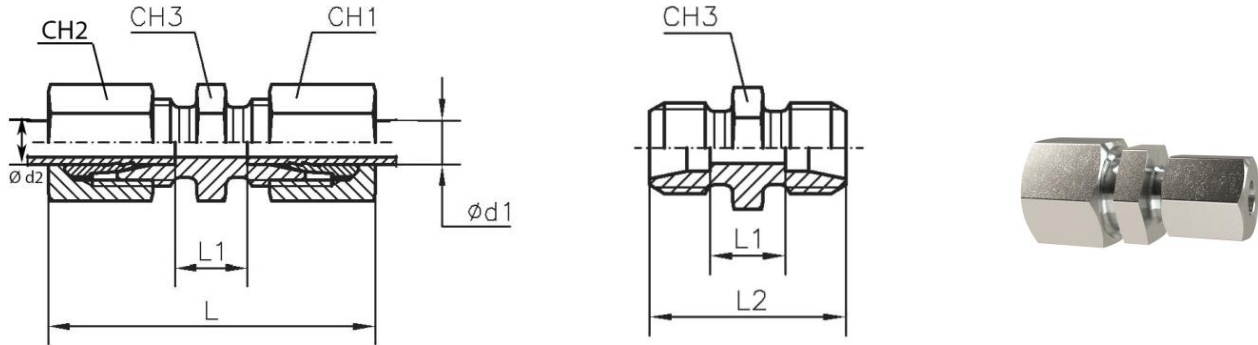
Reducer, heavy type

Art. No.	Type No.	Ø D1 mm	Ø D2 mm	Ø F1	L1 mm	L2 mm	CH2 mm	CH3 mm	CH mm	PN bar
159259	RED86SST	8	6	16x1.5	31.0	31	17	19	17	630
159260	RED106SST	10	6	18x1.5	32.0	31	17	22	17	630
159261	RED108SST	10	8	18x1.5	32.0	31	19	22	17	630
159262	RED126SST	12	6	20x1.5	33.0	32	17	24	17	630
159263	RED128SST	12	8	20x1.5	33.0	32	19	24	17	630
159264	RED1210SST	12	10	20x1.5	32.5	33	22	24	19	630
159265	RED146SST	14	6	22x1.5	37.0	34	17	27	17	630
159266	RED148SST	14	8	22x1.5	37.0	34	19	27	17	630
159267	RED1410SST	14	10	22x1.5	36.5	35	22	27	19	630
159268	RED1412SST	14	12	22x1.5	36.5	35	24	27	22	630
159269	RED166SST	16	6	24x1.5	37.0	34	17	30	17	630
159270	RED168SST	16	8	24x1.5	37.0	34	19	30	17	630
159271	RED1610SST	16	10	24x1.5	36.5	35	22	30	19	630
159272	RED1612SST	16	12	24x1.5	36.5	35	24	30	22	630
159273	RED1614SST	16	14	24x1.5	38.0	38	27	30	24	630
159274	RED206SST	20	6	30x2.0	43.0	36	17	36	22	400
159275	RED208SST	20	8	30x2.0	43.0	36	19	36	22	400
159276	RED2010SST	20	10	30x2.0	42.5	37	22	36	22	400
159277	RED2012SST	20	12	30x2.0	42.5	37	24	36	22	400
159278	RED2014SST	20	14	30x2.0	44.0	40	27	36	24	400
159279	RED2016SST	20	16	30x2.0	43.5	40	30	36	27	400
159280	RED256SST	25	6	36x2.0	47.0	38	17	46	27	400
159281	RED258SST	25	8	36x2.0	47.0	38	19	46	27	400
159282	RED2510SST	25	10	36x2.0	46.5	39	22	46	27	400
159283	RED2512SST	25	12	36x2.0	46.5	39	24	46	27	400
159284	RED2514SST	25	14	36x2.0	48.0	42	27	46	27	400
159285	RED2516SST	25	16	36x2.0	47.5	42	30	46	27	400
159286	RED2520SST	25	20	36x2.0	47.5	45	36	46	32	400

Reducer, with cone seal, light type

Art. No.	Type No.	Ø D1 mm	Ø D2 mm	Ø F1	L1 mm	L2 mm	L3 mm	CH2 mm	CH3 mm	CH mm	O-Ring	PN bar
159287	RED286LSTKEG	28	6	36x2	34	49	41	14	41	32	26x2	160





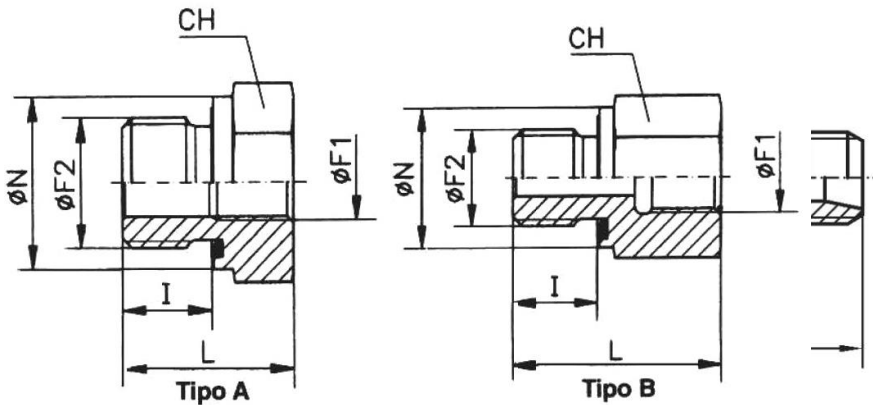
Reducer, with cone seal, heavy type

Art. No.	Type No.	Ø D1 mm	Ø D2 mm	Ø F1	L1 mm	L2 mm	L3 mm	CH2 mm	CH3 mm	CH mm	O-ring	PN bar
159288	RED86SSTKEG	8	6	16x1.5	27.0	42	34.0	17	19	14	6.0x1.5	630
159289	RED106SSTKEG	10	6	18x1.5	27.5	42	34.5	17	22	17	7.5x1.5	630
159290	RED108SSTKEG	10	8	18x1.5	27.5	42	34.5	19	22	17	7.5x1.5	630
159291	RED126SSTKEG	12	6	20x1.5	29.0	44	36.0	17	24	17	9.0x1.5	630
159292	RED128SSTKEG	12	8	20x1.5	29.0	44	36.0	19	24	17	9.0x1.5	630
159293	RED1210SSTKEG	12	10	20x1.5	29.5	46	37.0	22	24	19	9.0x1.5	630
159294	RED146SSTKEG	14	6	22x1.5	31.5	46	38.5	17	27	19	10x2.0	630
159295	RED148SSTKEG	14	8	22x1.5	31.5	46	38.5	19	27	19	10x2.0	630
159296	RED1410SSTKEG	14	10	22x1.5	31.0	47	38.5	22	27	19	10x2.0	630
159297	RED1412SSTKEG	14	12	22x1.5	31.0	47	38.5	24	27	22	10x2.0	630
159298	RED166SSTKEG	16	6	24x1.5	32.0	47	39.0	17	30	22	12x2.0	400
159299	RED168SSTKEG	16	8	24x1.5	32.0	47	39.0	19	30	22	12x2.0	400
159300	RED1610SSTKEG	16	10	24x1.5	31.5	48	39.0	22	30	22	12x2.0	400
159301	RED1612SSTKEG	16	12	24x1.5	31.5	48	39.0	24	30	22	12x2.0	400
159302	RED1614SSTKEG	16	14	24x1.5	33.0	51	41.0	27	30	24	12x2.0	400
159303	RED206SSTKEG	20	6	30x2.0	36.0	51	43.0	17	36	27	16.3x2.4	400
159304	RED208SSTKEG	20	8	30x2.0	36.0	51	43.0	19	36	27	16.3x2.4	400
159305	RED2010SSTKEG	20	10	30x2.0	35.5	52	43.0	22	36	27	16.3x2.4	400
159306	RED2012SSTKEG	20	12	30x2.0	35.5	52	43.0	24	36	27	16.3x2.4	400
159307	RED2014SSTKEG	20	14	30x2.0	37.0	55	45.0	27	36	27	16.3x2.4	400
159308	RED2016SSTKEG	20	16	30x2.0	36.5	55	45.0	30	36	27	16.3x2.4	400
159309	RED256SSTKEG	25	6	36x2.0	38.5	53	45.5	17	46	32	20.3x2.4	400
159310	RED258SSTKEG	25	8	36x2.0	38.5	53	45.5	19	46	32	20.3x2.4	400
159311	RED2510SSTKEG	25	10	36x2.0	38.0	54	45.5	22	46	32	20.3x2.4	400
159312	RED2512SSTKEG	25	12	36x2.0	38.0	54	45.5	24	46	32	20.3x2.4	400
159313	RED2514SSTKEG	25	14	36x2.0	39.5	57	47.5	27	46	32	20.3x2.4	400
159314	RED2516SSTKEG	25	16	36x2.0	39.0	57	47.5	30	46	32	20.3x2.4	400
159315	RED2520SSTKEG	25	20	36x2.0	39.0	61	49.5	36	46	32	20.3x2.4	400



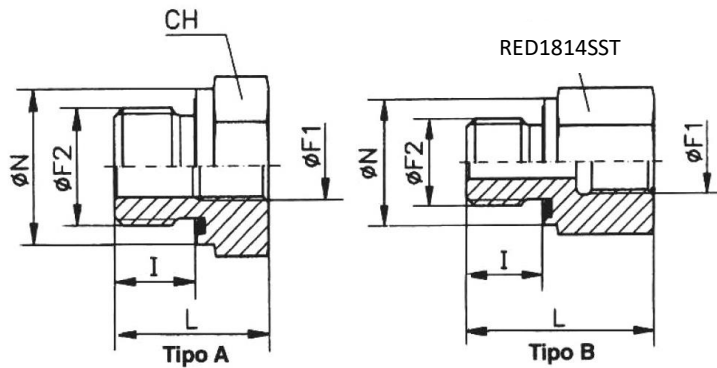
Straight reducers, light type

Art. No.	Type No.	Ø D1 mm	Ø D2 mm	L mm	L1 mm	L2 mm	CH1 mm	CH2 mm	CH3 mm	PN bar
159316	GV86LSTRED	8	6	39.5	11.0	25	17	14	14	315
159317	GV106LSTRED	10	6	40.5	11.5	26	19	14	17	315
159318	GV108LSTRED	10	8	41.0	11.5	26	19	17	17	315
159319	GV126LSTRED	12	6	41.0	12.5	27	22	14	19	315
159320	GV128LSTRED	12	8	41.5	12.5	27	22	17	19	315
159321	GV1210LSTRED	12	10	42.5	13.5	28	22	19	19	315
159322	GV1510LSTRED	15	10	44.0	14.5	29	27	19	24	315
159323	GV1512LSTRED	15	12	44.5	14.5	29	27	22	24	315
159324	GV1810LSTRED	18	10	45.0	15.0	30	32	19	27	315
159325	GV1812LSTRED	18	12	45.5	15.5	30	32	22	27	315
159326	GV1815LSTRED	18	15	47.0	16.5	31	32	27	27	315
159327	GV2212LSTRED	22	12	47.5	17.0	32	36	22	32	160
159328	GV2215LSTRED	22	15	49.0	18.5	33	36	27	32	160
159329	GV2218LSTRED	22	18	50.0	18.0	33	36	32	32	160
159330	GV2818LSTRED	28	18	51.0	19.0	34	41	32	41	160
159331	GV2822LSTRED	28	22	53.0	21.0	36	41	36	41	160



Straight reducers, heavy type

Art. No.	Type No.	ø D1 mm	ø D2 mm	L mm	L1 mm	L2 mm	CH1 mm	CH2 mm	CH3 mm	PN bar
159332	GV86SSTRED	8	6	46.0	18.0	32	19	17	17	630
159333	GV106SSTRED	10	6	47.0	17.5	32	22	17	19	630
159334	GV108SSTRED	10	8	48.0	17.5	32	22	19	19	630
159335	GV126SSTRED	12	6	48.0	18.5	34	24	17	22	630
159336	GV128SSTRED	12	8	49.0	18.5	34	24	19	22	630
159337	GV1210SSTRED	12	10	50.0	18.0	34	24	22	22	630
159338	GV1410SSTRED	14	10	53.0	20.5	36	27	22	24	630
159339	GV1412SSTRED	14	12	54.0	20.5	36	27	24	24	630
159340	GV1612SSTRED	16	12	54.0	21.0	36	30	24	27	400
159341	GV1614SSTRED	16	14	57.0	22.5	38	30	27	27	400
159342	GV2010SSTRED	20	10	57.5	23.0	40	36	22	32	400
159343	GV2012SSTRED	20	12	58.5	23.0	40	36	24	32	400
159344	GV2014SSTRED	20	14	61.5	24.0	42	36	27	32	400
159345	GV2016SSTRED	20	16	61.5	24.0	42	36	30	32	400
159346	GV2516SSTRED	25	16	65.5	27.5	46	46	30	41	400
159347	GV2520SSTRED	25	20	70.0	25.5	48	46	36	41	400



RED1814SST

Long reducing adapter, parallel male thread and soft seal, heavy type

Art. No.	Type No.	Ø F2 mm	Ø F1 mm	L mm	I mm	CH mm	ØN mm	PN bar
159094	RED1814SST	G 1/8	G 1/4	31	8	19	14	630
159095	RED1838SST	G 1/8	G 3/8	32	8	24	14	630
159096	RED1412SST	G 1/4	G 1/2	40	12	30	19	630
159097	RED1434SST	G 1/4	G 3/4	43	12	36	19	630
159098	RED3834SST	G 3/8	G 3/4	44	12	36	22	400
159099	RED1234SST	G 1/2	G 3/4	46	14	36	27	400
159100	RED121SST	G 1/2	G 1	49	14	41	27	400
159101	RED12114SST	G 1/2	G 1 1/4	53	14	55	27	400
159102	RED341SST	G 3/4	G 1	51	16	41	32	400
159103	RED34114SST	G 3/4	G 1 1/4	55	16	55	32	400
159104	RED34112SST	G 3/4	G 1 1/2	57	16	60	32	315
159105	RED1114SST	G 1	G 1 1/4	57	18	55	40	400
159106	RED1112SST	G 1	G 1 1/2	59	18	60	40	315
159107	RED1141SST	G 1 1/4	G 1	53	20	50	50	400
159108	RED114112SST	G 1 1/4	G 1 1/2	60	20	60	50	315

Short reducing adapter, parallel male thread and soft seal, heavy type

Art. No.	Type No.	Ø F2 mm	Ø F1 mm	L mm	I mm	CH mm	ØN mm	PN bar
159109	RED1218SST	G 1/2	G 1/8	24	14	27	27	630
159110	RED114SST	G 1	G 1/4	29	18	41	40	400
159111	RED138SST	G 1	G 3/8	29	18	41	40	400
159112	RED11212SST	G 1 1/2	G 1/2	36	22	55	55	315

V 311-ZW
(siehe Datenblatt P 6-73)